

522 Knob Cam Lock

Features

- Quarter turn with black knob
- This attractive, low-profile latch has universal use because of its clean, modern appearance
- It is designed mainly for use on light cabinet doors and panels
- A distinctive “snap” lets the user know that the latch is fully open or fully closed
- The dead-bolt latch comes with a hex nut for mounting it to a door or panel
- Cam is held in place with a lock washer and screw

Material

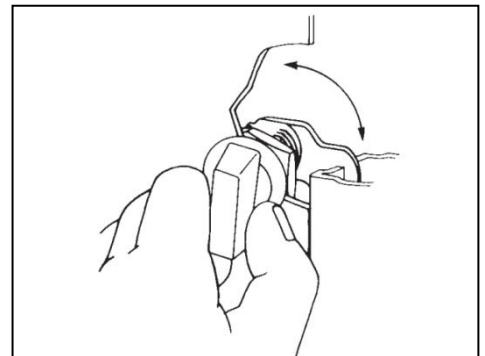
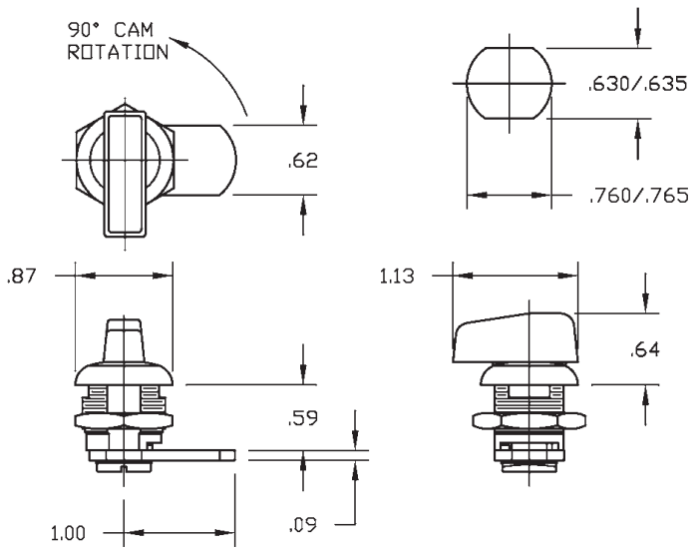
- Lock button, barrel and hex nut: Zinc die cast
- Cam, lock washer and screw: Steel, nickel plated

Notes

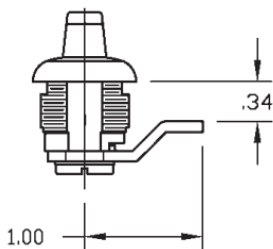
- For use on panels up to 1/4" thick



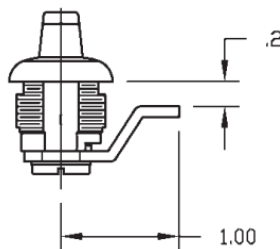
522-XA



522-XB



522-XC



Part No.	Grip Range
522-XA-11	.59"
522-XB-11	.34"
522-XC-11	.21"

Dimensions in inches